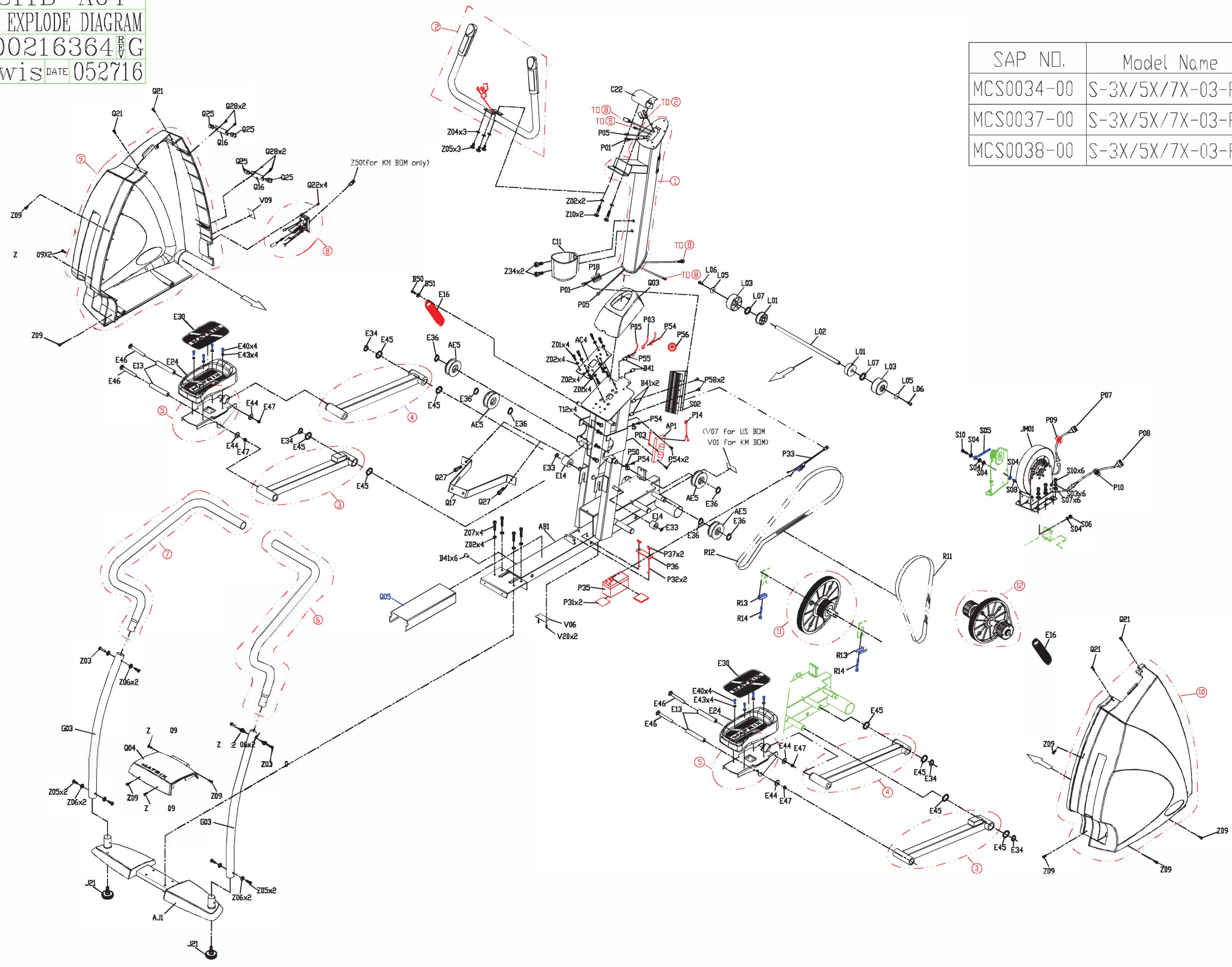
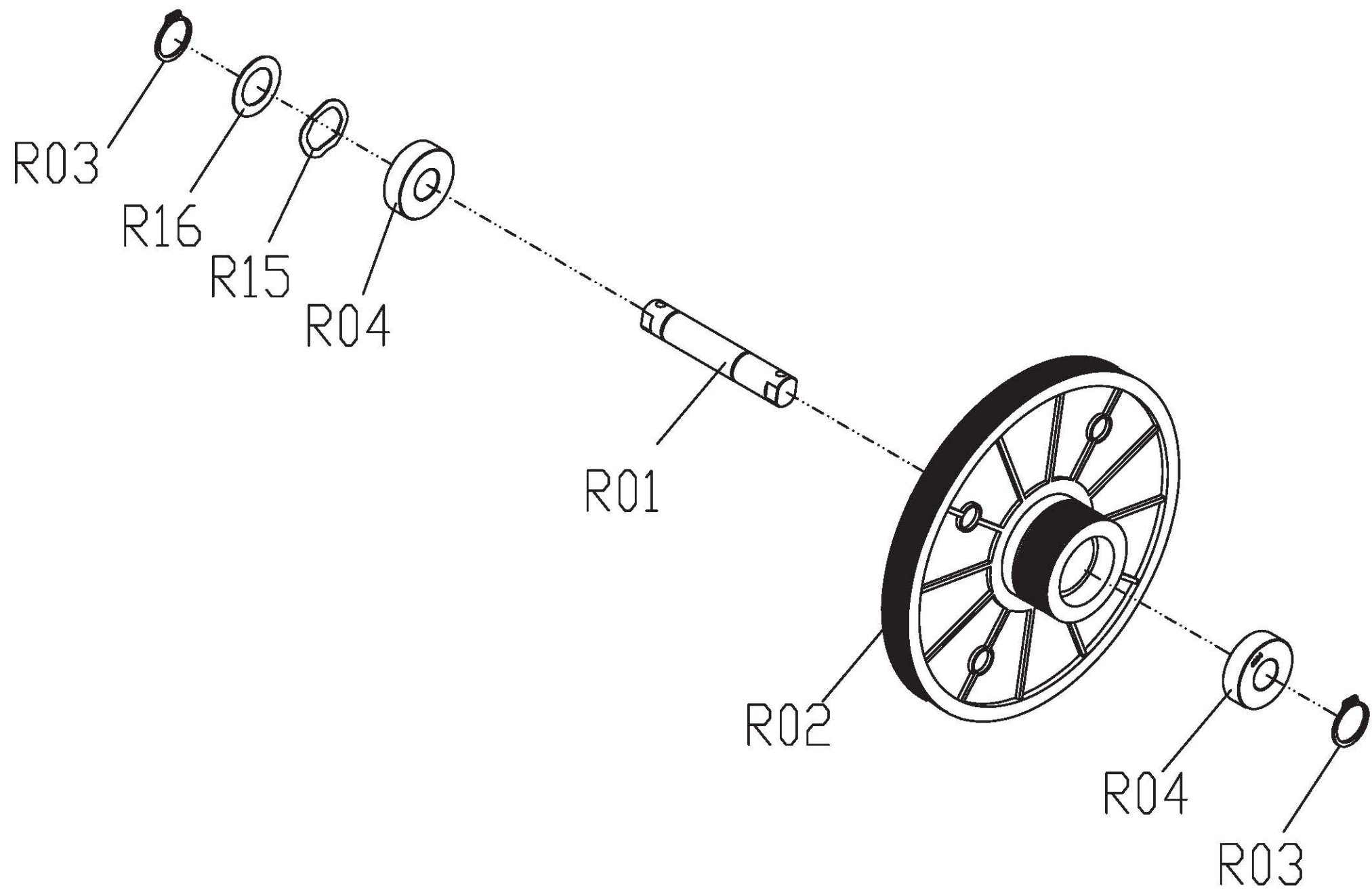


DRAWING NO: CS11B-A04  
 PART NAME: PART EXPLODE DIAGRAM  
 PART NO: 1000216364 REV G  
 APPROVE: Lewis DATE: 052716

SAP NO.	Model Name
MCS0034-00	S-3X/5X/7X-03-F;US
MCS0037-00	S-3X/5X/7X-03-F;KM
MCS0038-00	S-3X/5X/7X-03-F;JP

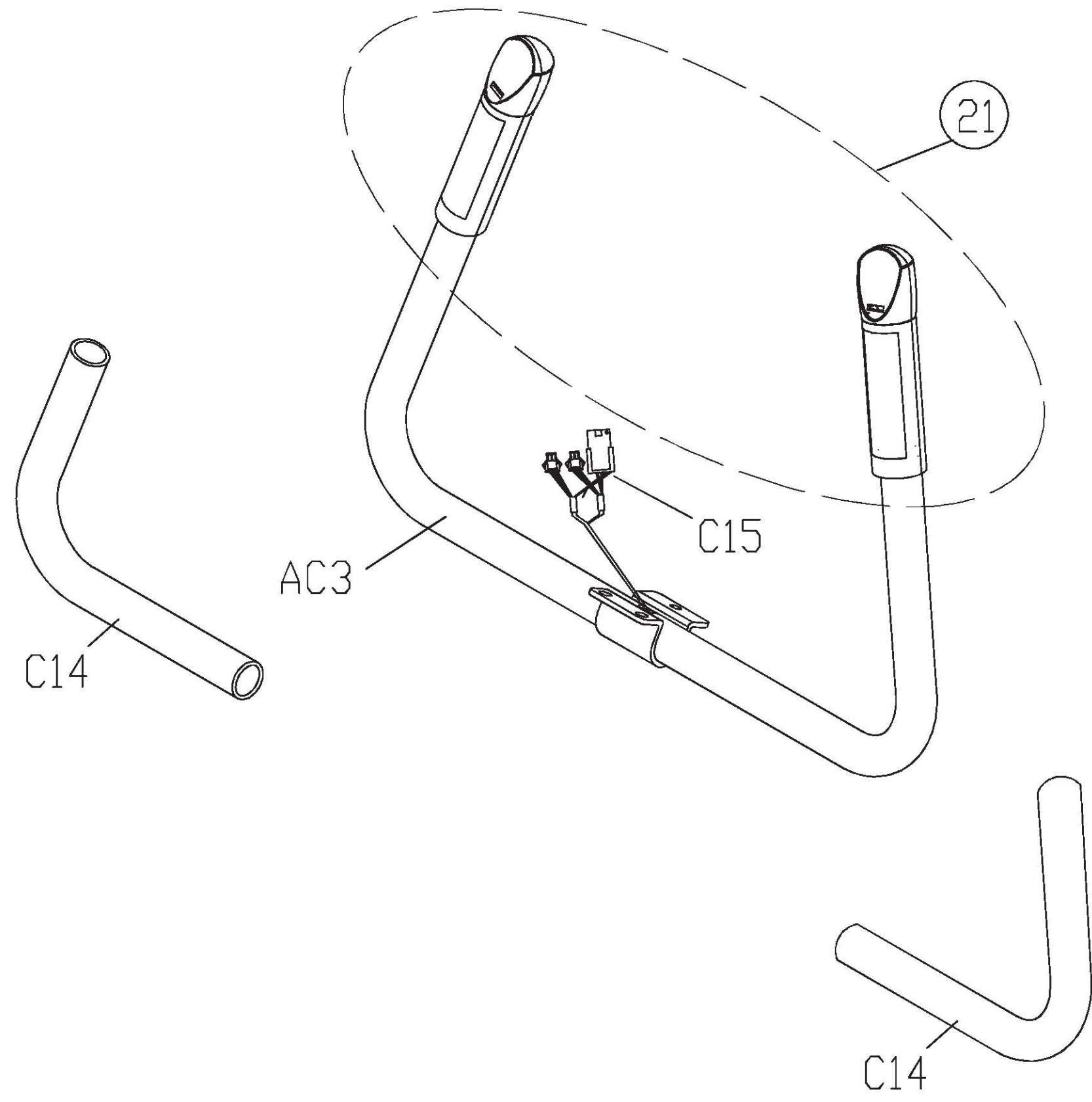



DRAWING NO	CS08-AR1		
PART NAME	Transmission Set		
PART NO	058735-A <sup>REV</sup> A		
APPROVE	Rain	DATE	2011.01.18

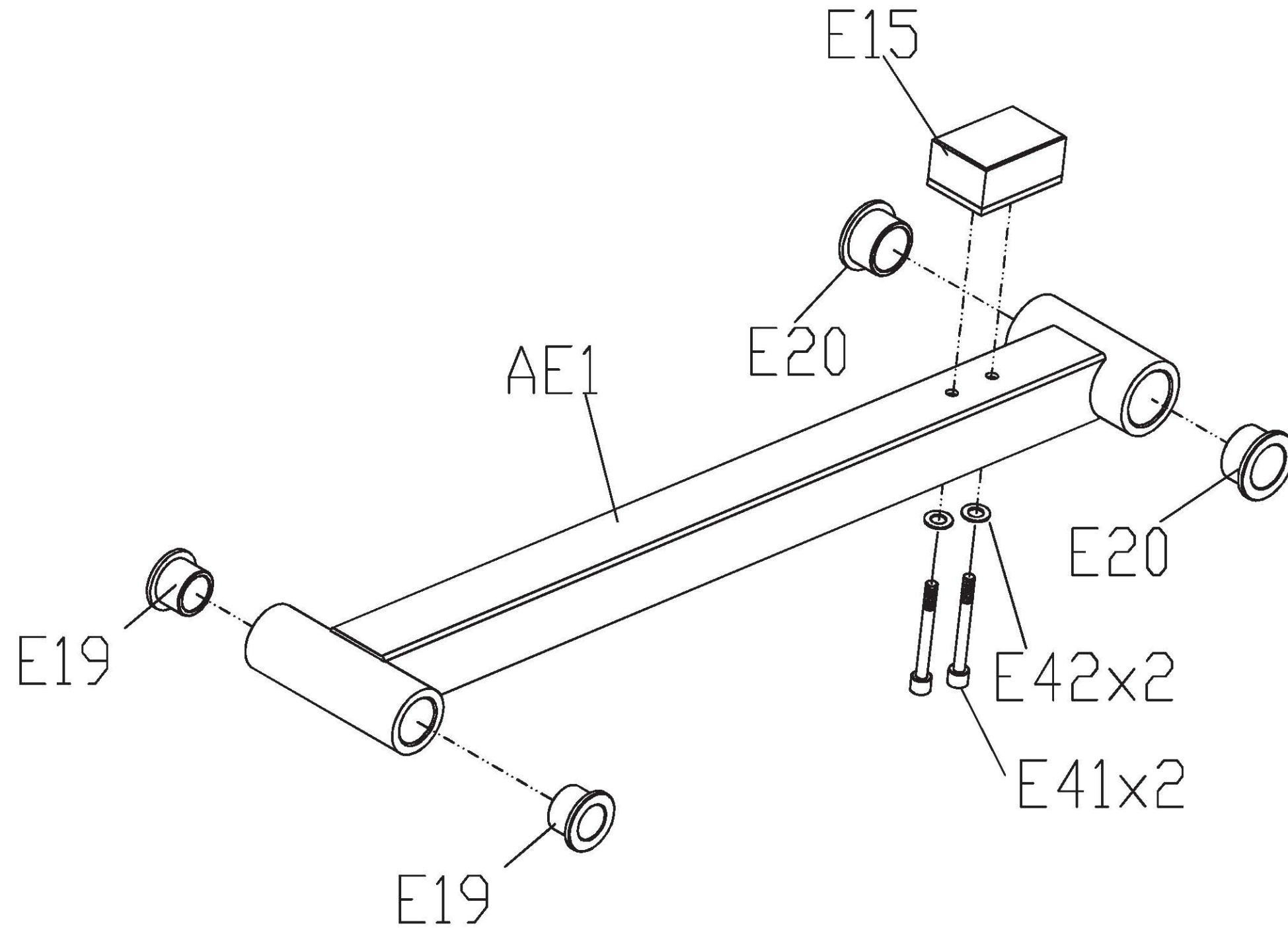


DRAWING NO	CS11-AC5		
PART NAME	Handlebar Set		
PART NO	As Attachment <sup>R</sup> / <sub>V</sub> F		
APPROVE	Hunter	DATE	120213

Part NO	Description
0000089432	Handlebar Set;English;S5x-F
1000213978	Handlebar Set;Holland;S5x-F
1000213979	Handlebar Set;France;S5x-F
1000213980	Handlebar Set;Germany;S5x-F
1000213981	Handlebar Set;Spain;S5x-F
1000213982	Handlebar Set;Italy;S5x-F
1000216846	Handlebar Set;Poland;S5x-F
0000091668	Handlebar Set;Japan;S5x-F
1000338487	Black matte

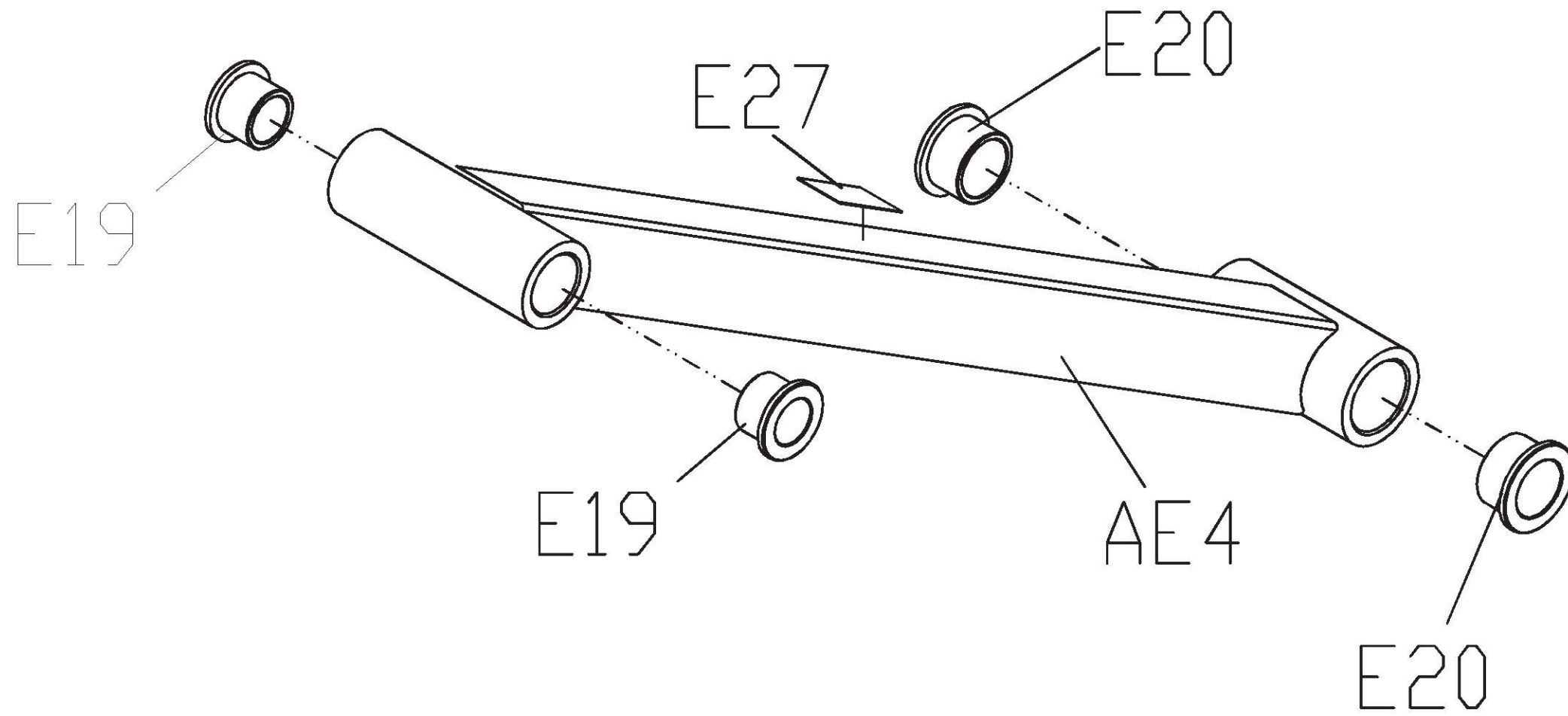


DRAWING NO	CS11-AE6		
PART NAME	PEDAL ARM SET		
PART NO	See attached  E		
APPROVE	JARVIS	DATE	140416




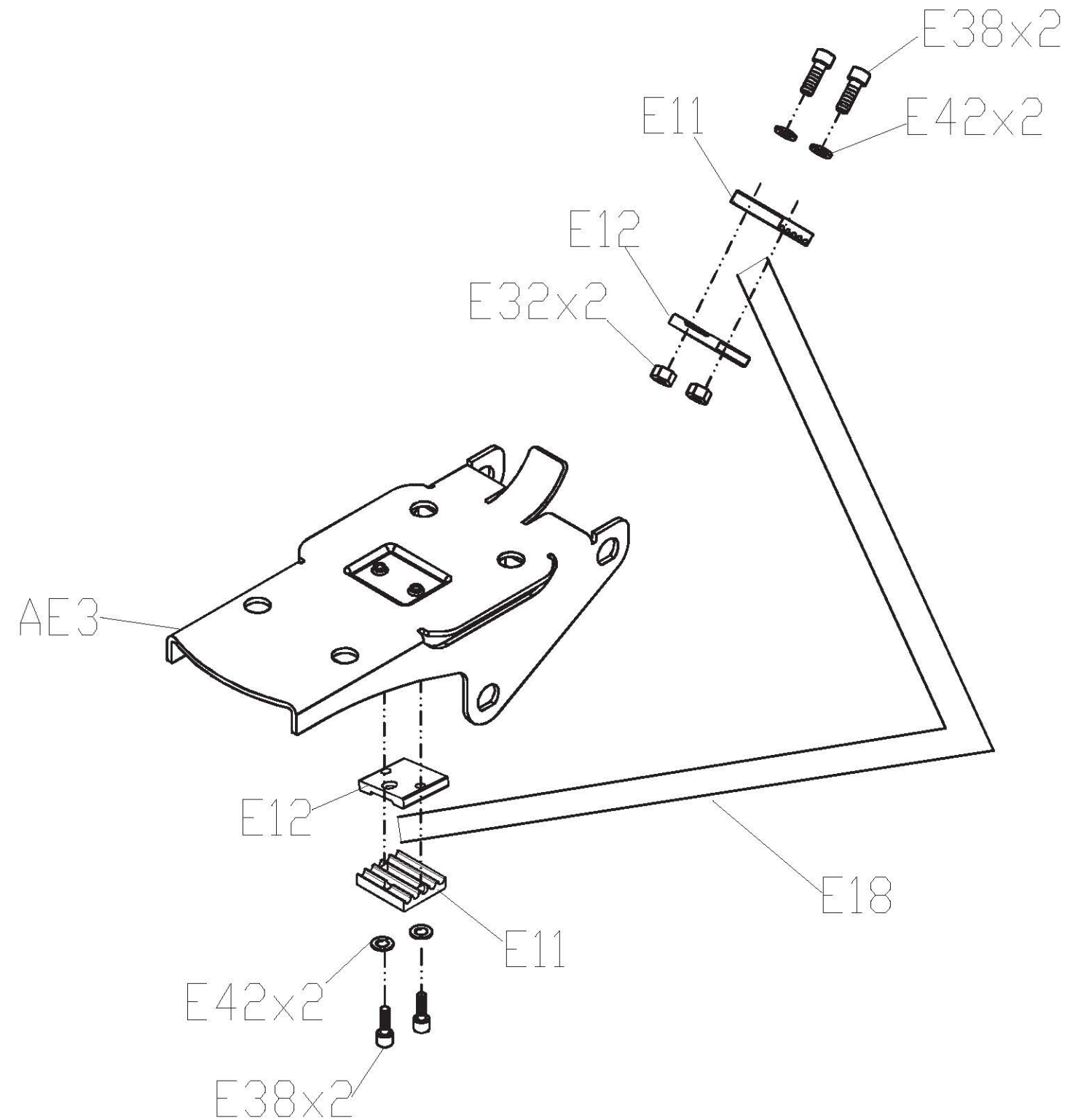
SAP NO.	Description
000090902	SLIVER
1000337781	Matte black
1000346588	SUN ORANGE

DRAWING NO	CS11-AE7	
PART NAME	PEDAL ARM SET	
PART NO	See attached REF	
APPROVE	JARVIS	DATE 140416



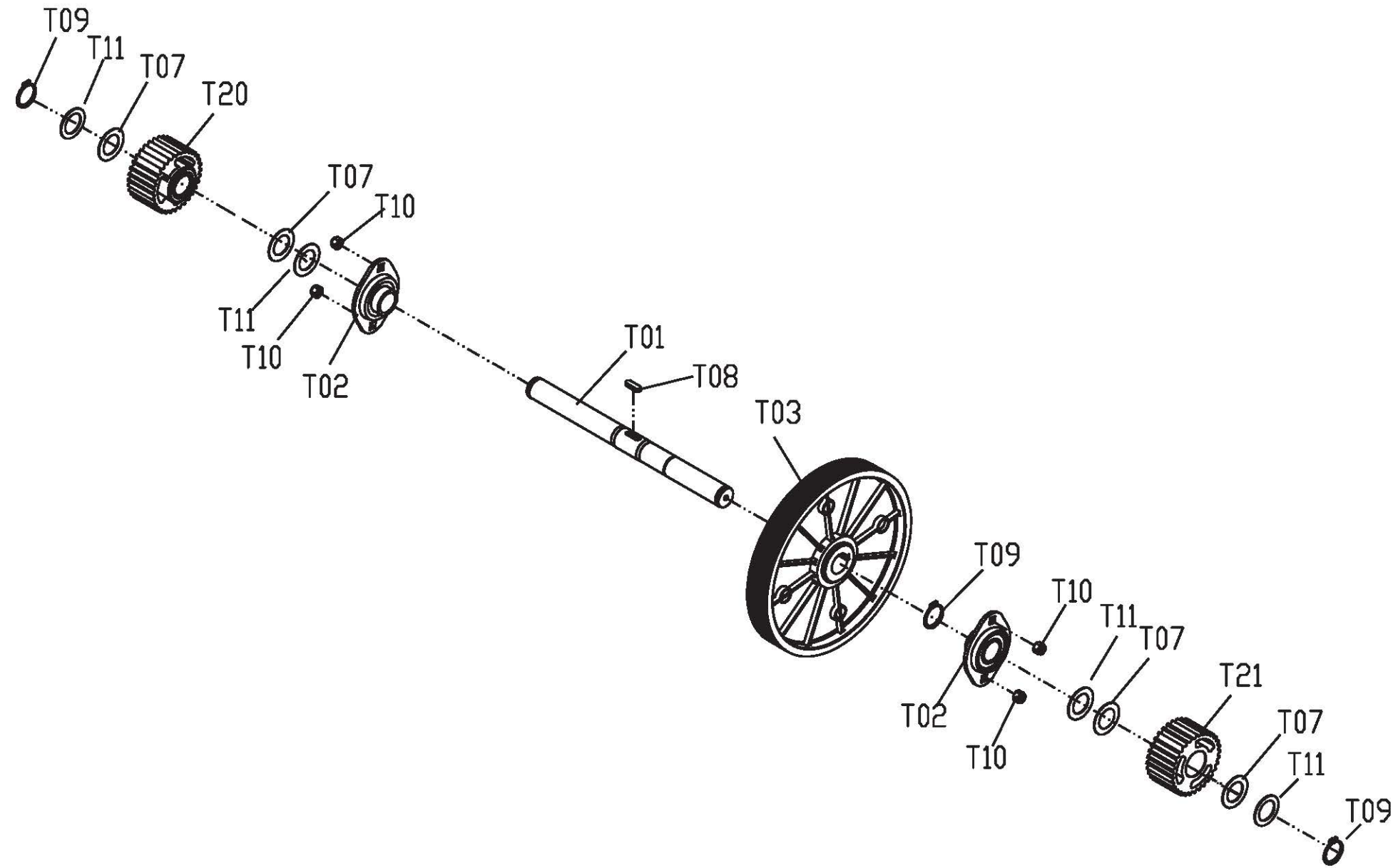
SAP NO.	Description
0000090904	SLIVER
1000341328	Matte black
1000346590	SUN ORANGE

DRAWING NO	CS11-AE8		
PART NAME	PEDAL SET		
PART NO	See attached  D		
APPROVE	JARVIS	DATE	140416

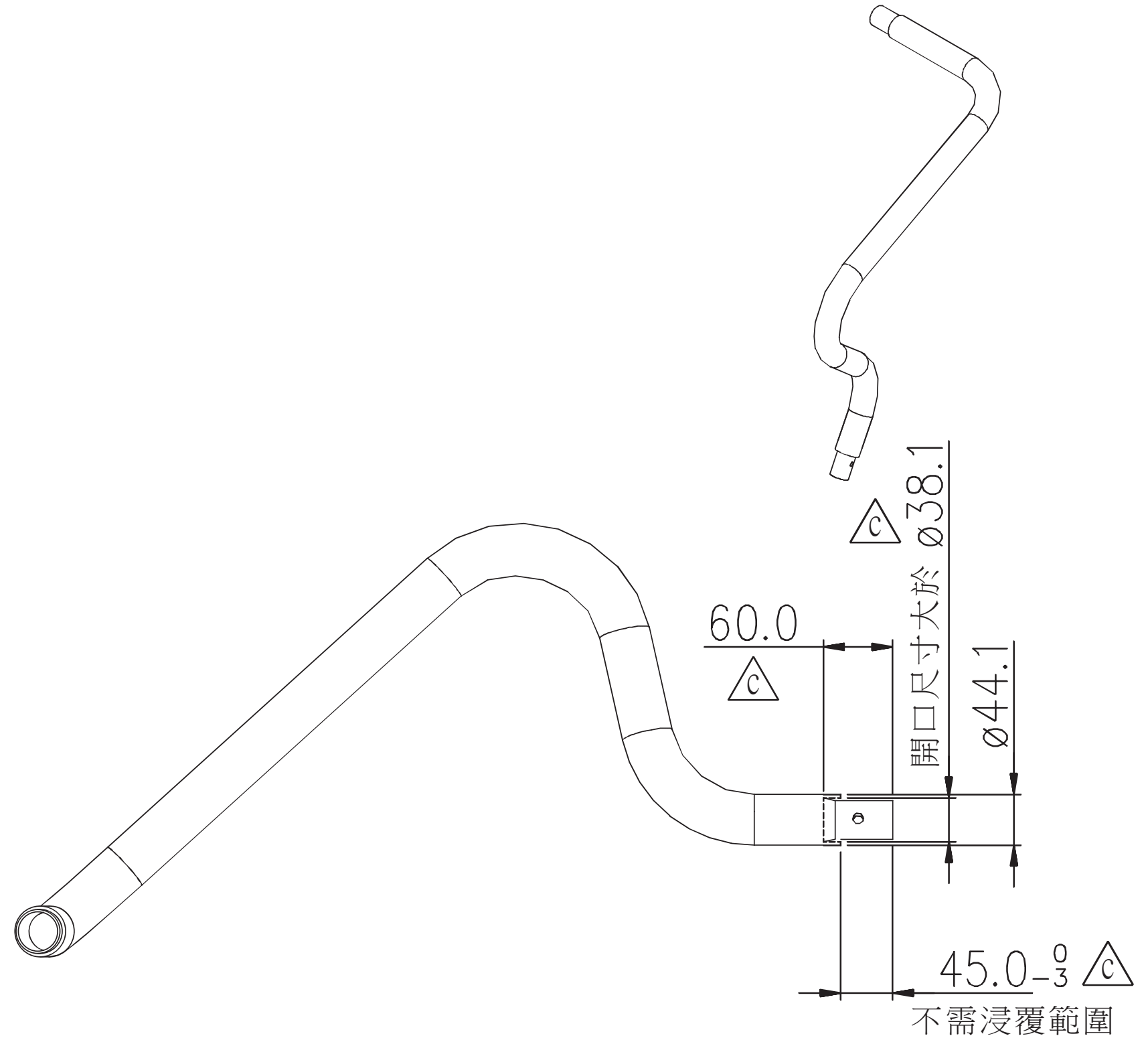
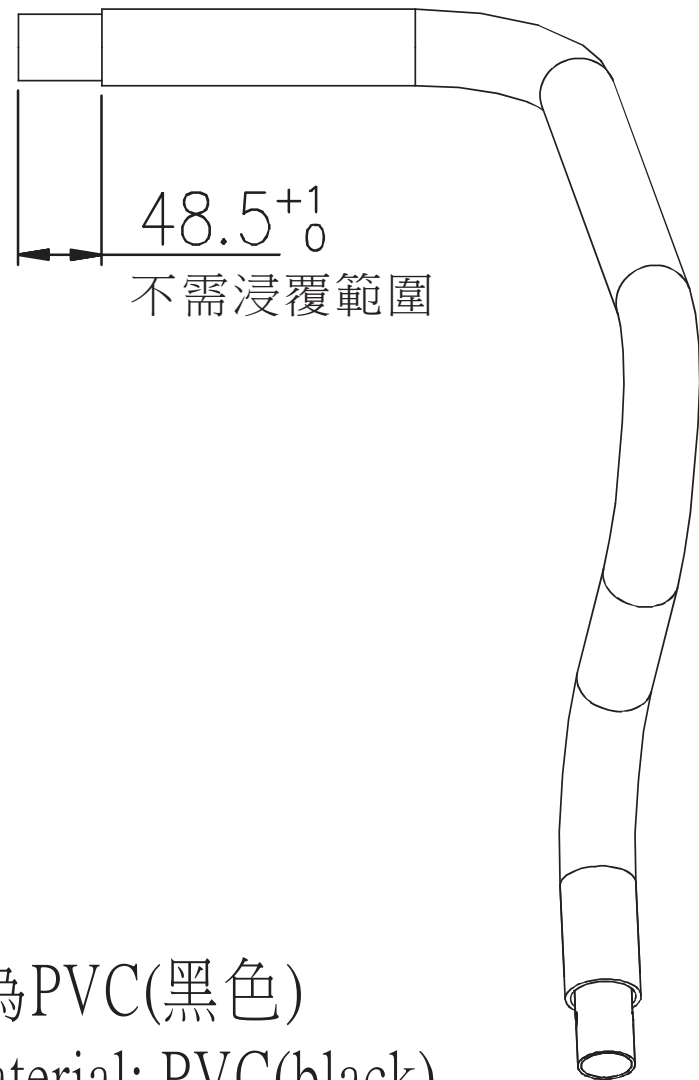


SAP NO.	Description
0000090906	SLIVER
1000341330	Matte black
1000346592	SUN ORANGE

DRAWING NO	CS11-AT1		
PART NAME	Pedal Transmission Set		
PART NO	0000090915 D		
APPROVE	tsaijw	DATE	20170125



DRAWING NO	CS08-AG11		
PART NAME	Right-Up Handlebar Set		
PART NO	0000093057	REV	C
APPROVE	AmelieFan	DATE	021816



註:

Notes:

1. 浸覆材質為PVC(黑色)

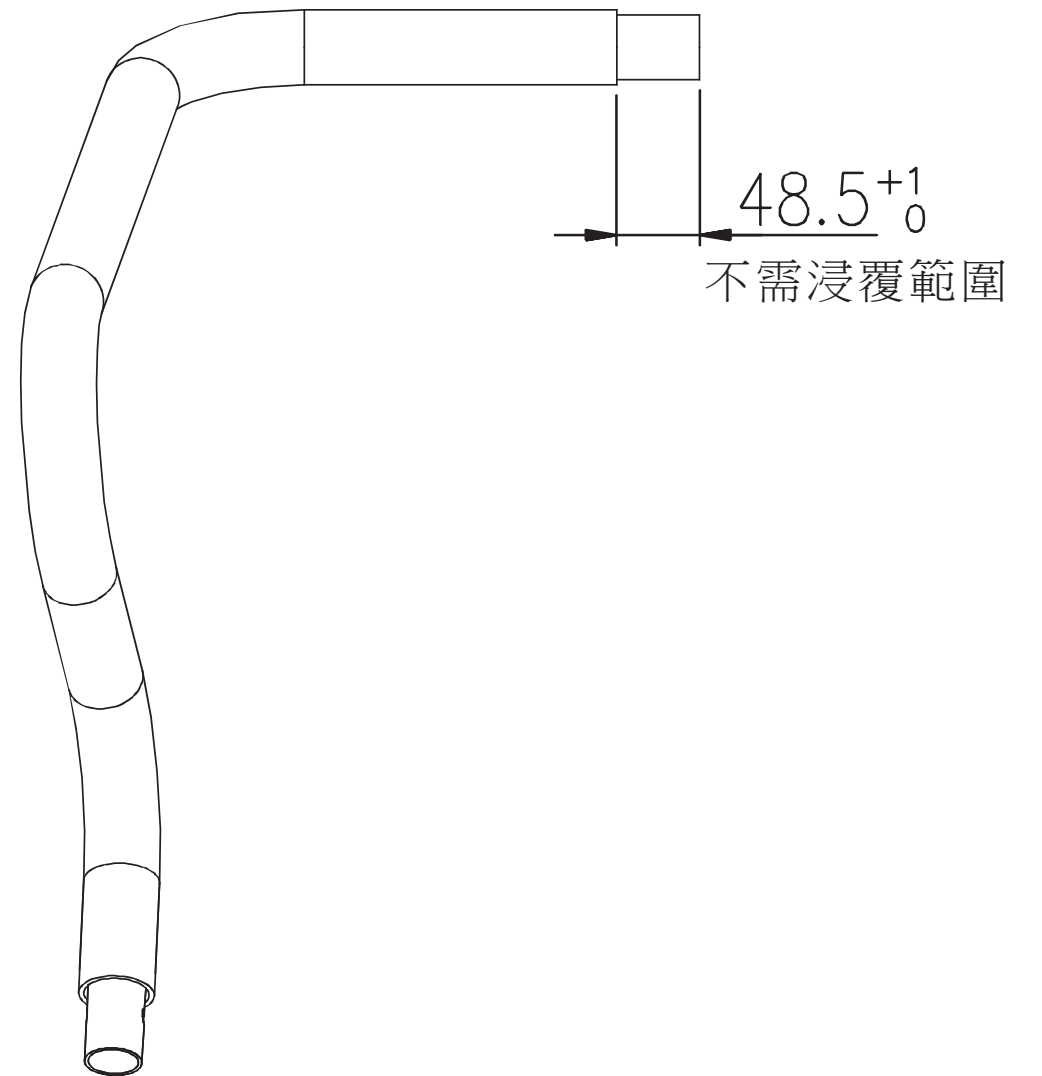
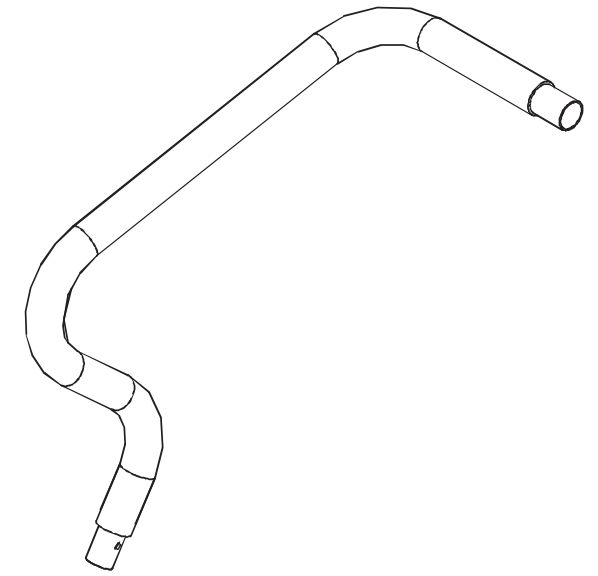
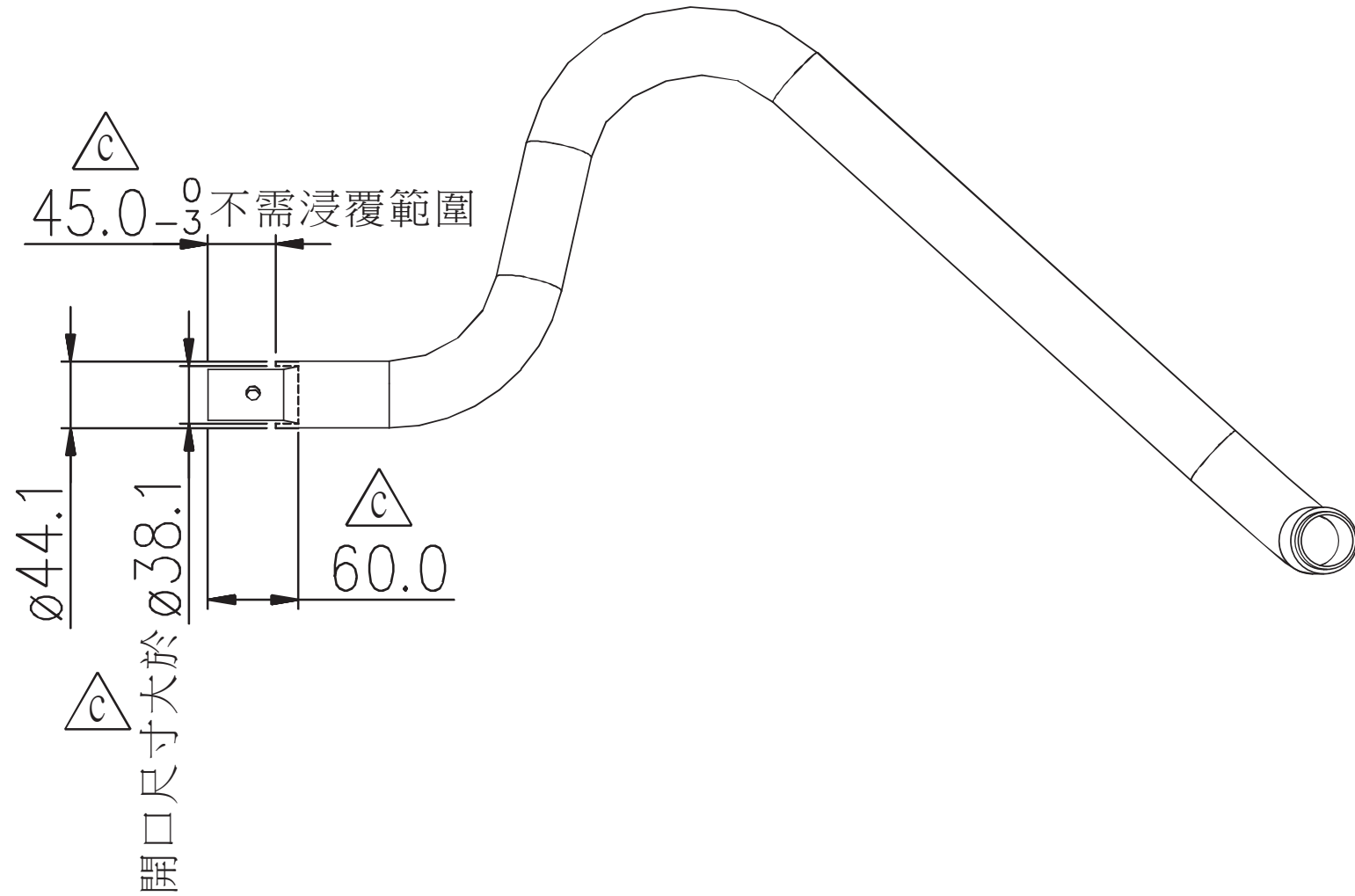
Dipping material: PVC(black)

2. 浸覆厚度3.0 (平均厚度)

Dipping thickness: 3.0



DRAWING NO	CS08-AG12		
PART NAME	Left-Up Handlebar Set		
PART NO	0000093058	REV	C
APPROVE	AmelieFan	DATE	021816



註:

Notes:

1. 浸覆材質為PVC(黑色)

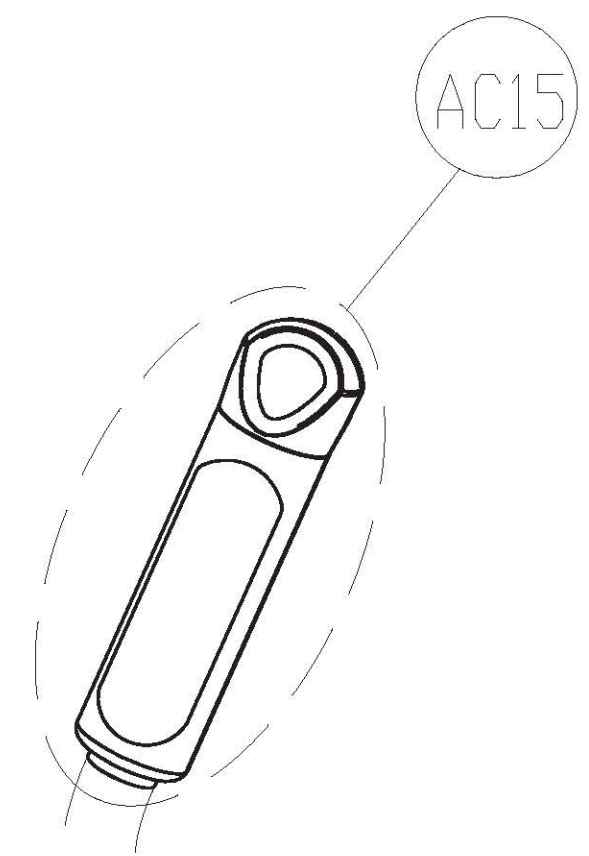
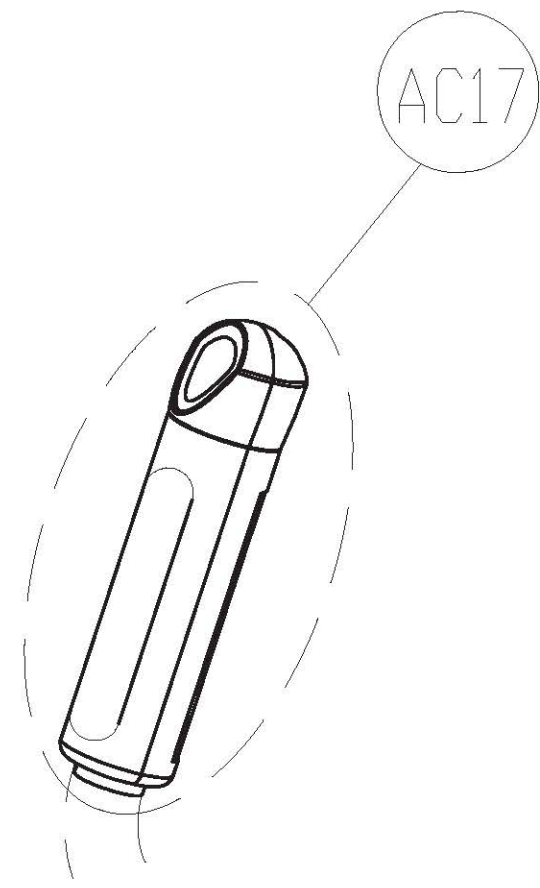
Dipping material: PVC(black)

2. 浸覆厚度3.0 (平均厚度)

Dipping thickness: 3.0

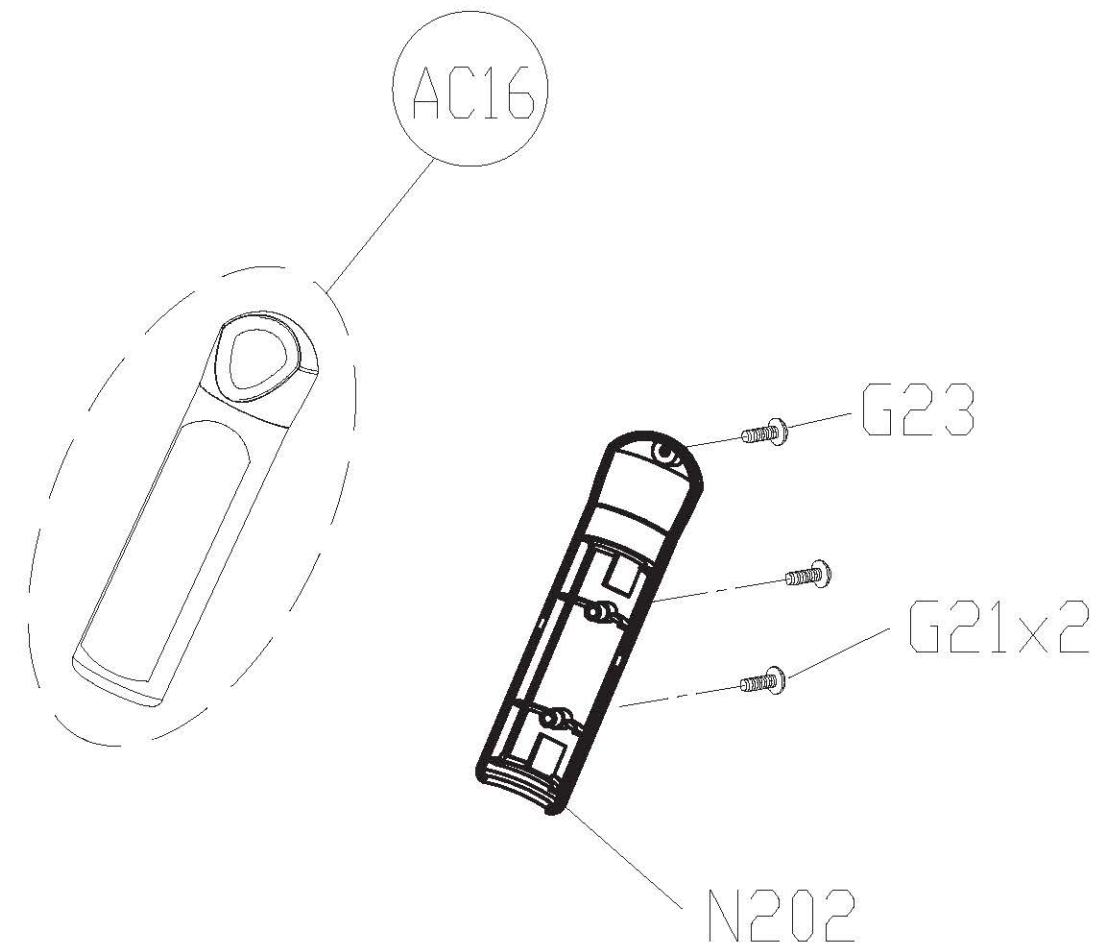
DRAWING NO	CB72-AC14		
PART NAME	Grip Set;Sensor		
PART NO	As Attachment E		
APPROVE	Rain	DATE	2011.04.28

Part NO	Description
0000093119	Grip Set;Sensor;English;H5x-F
1000213983	Grip Set;Sensor;Holland;H5x-F
1000213984	Grip Set;Sensor;Franc;H5x-F
1000213985	Grip Set;Sensor;Germany;H5x-F
1000213986	Grip Set;Sensor;Spain;H5x-F
1000213987	Grip Set;Sensor;Ital;H5x-F
1000216857	Grip Set;Sensor;Poland;H5x-F
0000093247	Grip Set;Sensor;Japan;H5x-F
0000093192	Grip Set;Sensor;English;H3x-01
1000216852	Grip Set;Sensor;Holland;H3x-01
1000216853	Grip Set;Sensor;France;H3x
1000216854	Grip Set;Sensor;Germany;H3x
1000216855	Grip Set;Sensor;Spain;H3x
1000216856	Grip Set;Sensor;Italy;H3x
0000093496	Grip Set;Sensor;Japan;H3x



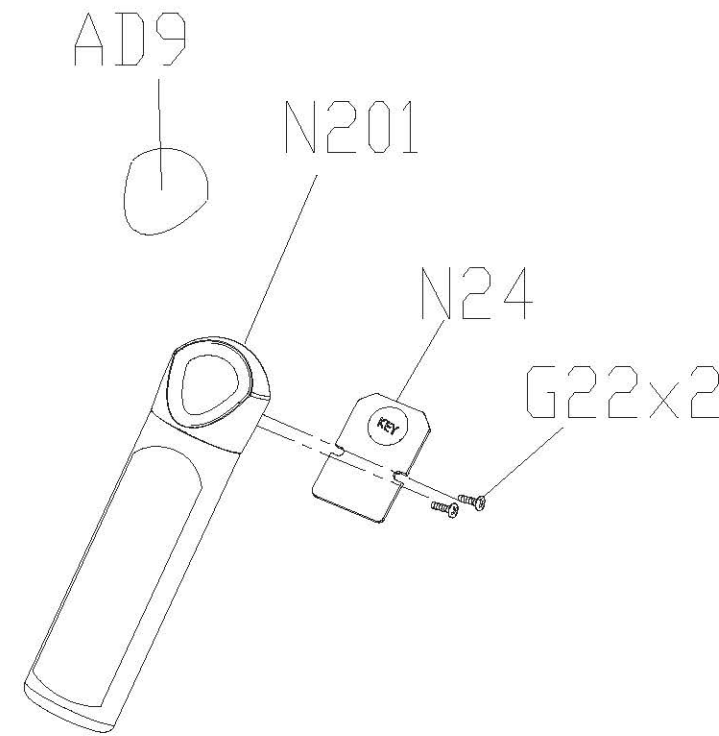
DRAWING NO	CB72-AC15		
PART NAME	Grip Set;Sensor;Right		
PART NO	As Attachment ID		
APPROVE	Rain	DATE	2011.04.28

Part NO	Description
0000091704	Grip Set;Sensor;Right;ENG;H5x-F
1000213968	Grip Set;Sensor;Right;Holland;H5x-F
1000213969	Grip Set;Sensor;Right;France;H5x-F
1000213970	Grip Set;Sensor;Right;Germany;H5x-F
1000213971	Grip Set;Sensor;Right;Spain;H5x-F
1000213972	Grip Set;Sensor;Right;Italy;H5x-F
1000216831	Grip Set;Sensor;Right;Poland;H5x-F
0000091654	Grip Set;Sensor;Right;JAP;H5x-F
0000092539	Grip Set;Sensor;Right;ENG;H3x-01
1000216826	Grip Set;Sensor;Right;Holland;H3x
1000216827	Grip Set;Sensor;Right;France;H3x
1000216828	Grip Set;Sensor;Right;Germany;H3x
1000216829	Grip Set;Sensor;Right;Spain;H3x
1000216830	Grip Set;Sensor;Right;Italy;H3x
0000092984	Grip Set;Sensor;Right;JAP;H3x



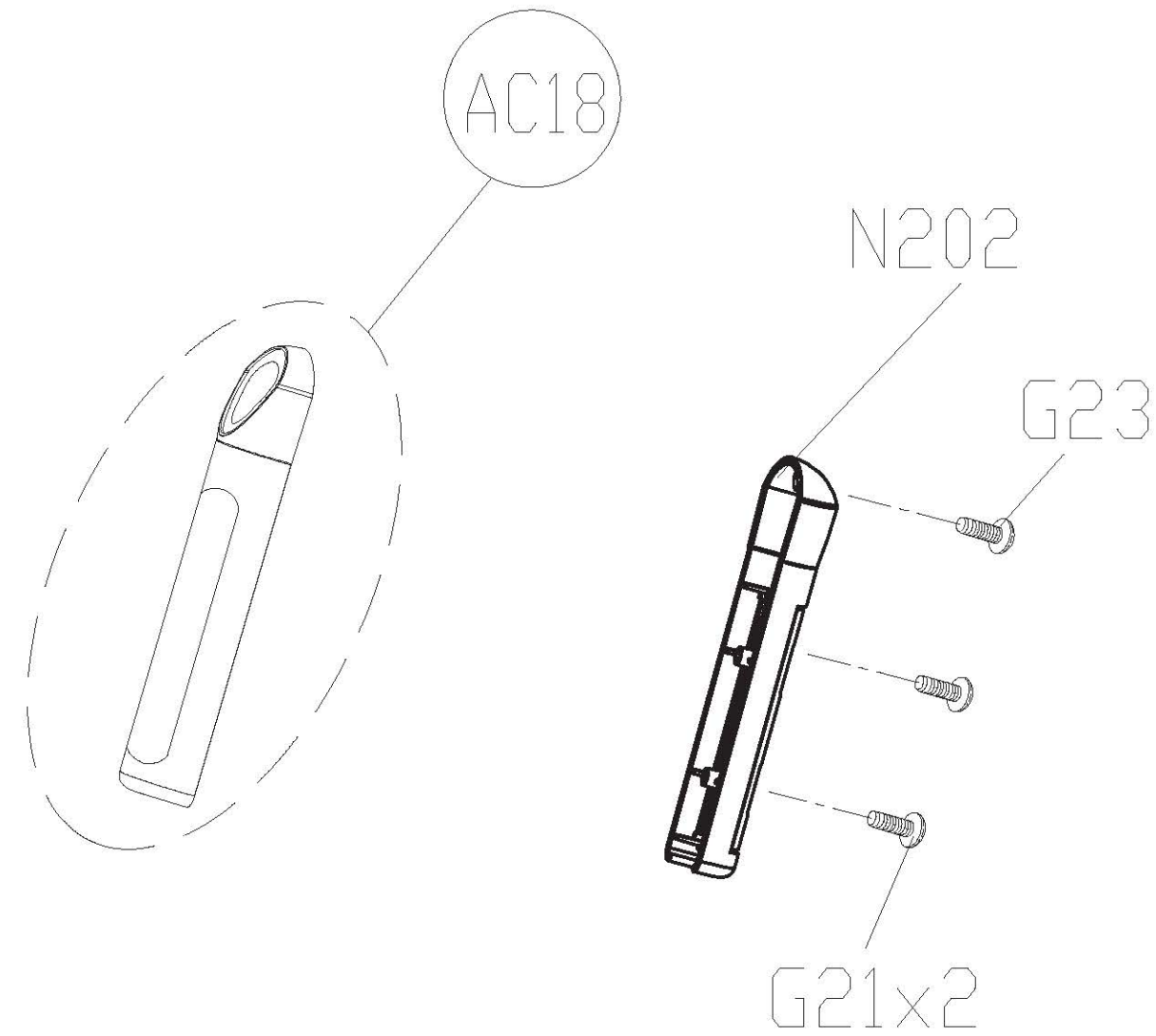
DRAWING NO	CB72-AC16		
PART NAME	Sensor Set;Right		
PART NO	As Attachment		
APPROVE	SHUYI	DATE	12.23.10

Part NO	Description
0000091705	Sensor Set;Right;ENG;H5x-F
0000091655	Sensor Set;Right;JAP;H5x-F
0000092540	Sensor Set;Right;ENG;H3x-01
0000092985	Sensor Set;Right;JAP;H3x
0000088307	Sensor Set;Right;ENG;U5x-F
1000213166	Sensor Set;Right;JAP;U5x-F
0000092515	Sensor Set;Right;ENG;U3x-01
0000092973	Sensor Set;Right;JAP;U3x
0000092571	Sensor Set;Right;ENG;R3x-01
0000092997	Sensor Set;Right;JAP;R3x



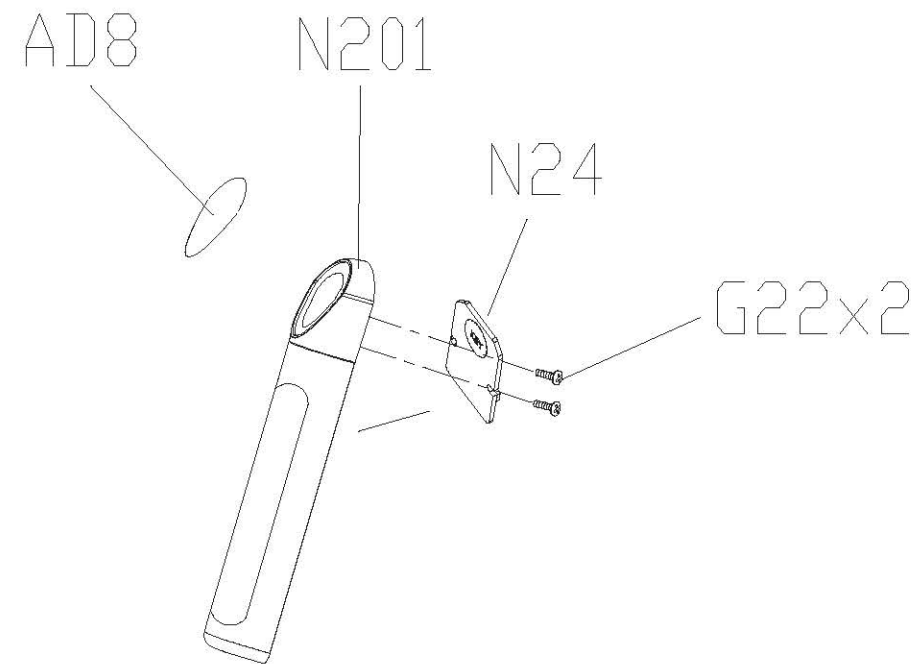
DRAWING NO	CB72-AC17		
PART NAME	Grip Set;Sensor;Light		
PART NO	As Attachment		
APPROVE	Rain	DATE	2011.04.28

Part NO	Description
0000091706	Grip Set;Sensor;Light;ENG;H5x-F
1000213973	Grip Set;Sensor;Light;Holland;H5x-F
1000213974	Grip Set;Sensor;Light;France;H5x-F
1000213975	Grip Set;Sensor;Light;Germany;H5x-F
1000213976	Grip Set;Sensor;Light;Spain;H5x-F
1000213977	Grip Set;Sensor;Light;Italy;H5x-F
1000216837	Grip Set;Sensor;Light;Poland;H5x-F
0000091658	Grip Set;Sensor;Light;JAP;H5x-F
0000092542	Grip Set;Sensor;Light;ENG;H3x-01
1000216832	Grip Set;Sensor;Light;Holland;H3x
1000216833	Grip Set;Sensor;Light;France;H3x
1000216834	Grip Set;Sensor;Light;Germany;H3x
1000216835	Grip Set;Sensor;Light;Spain;H3x
<b>1000216836</b>	Grip Set;Sensor;Light;Italy;H3x
0000092986	Grip Set;Sensor;Light;JAP;H3x

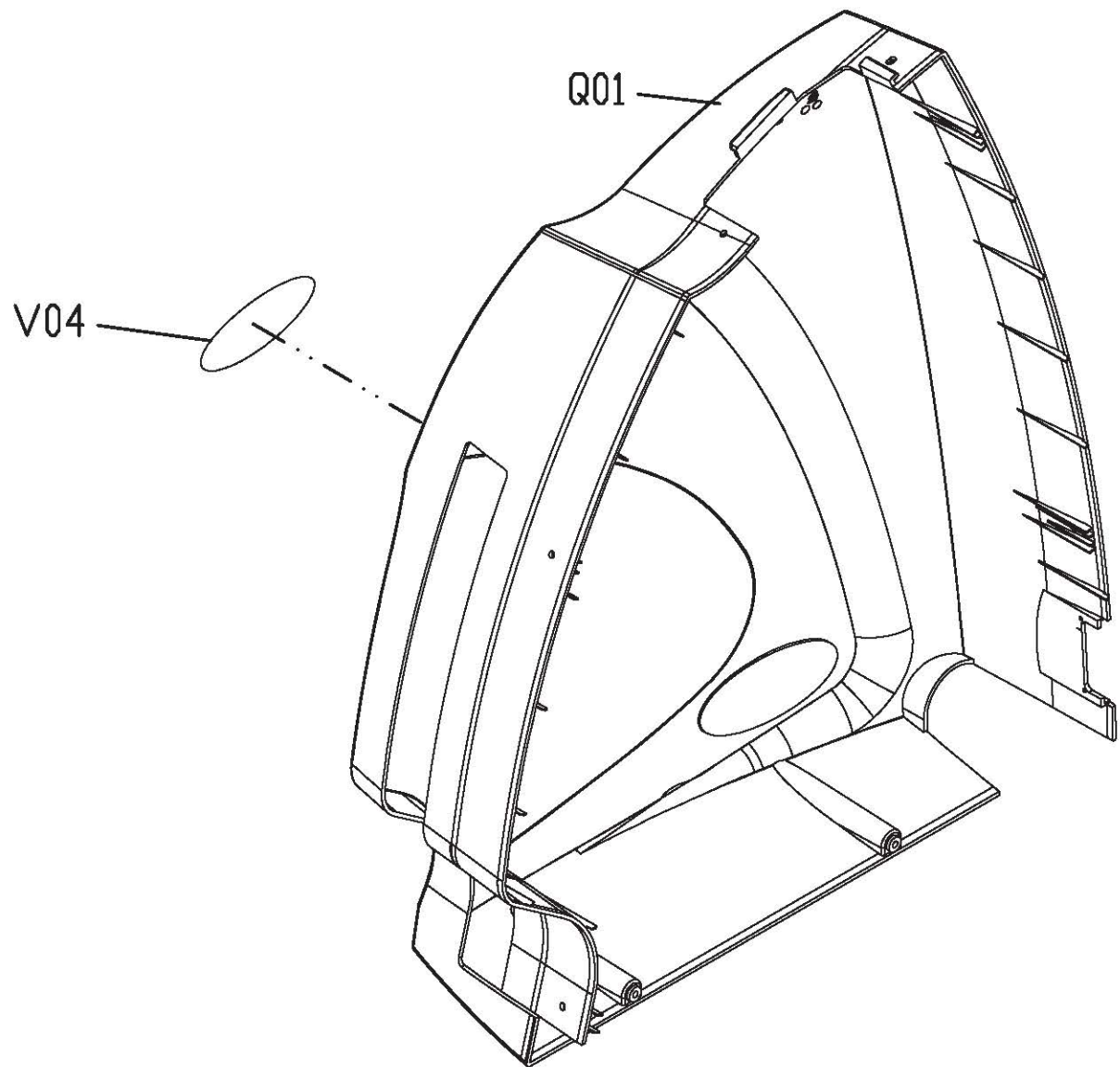



DRAWING NO	CB72-AC18		
PART NAME	Sensor Set;Left		
PART NO	As Attachment		
APPROVE	SHUYI	DATE	2010.12.23

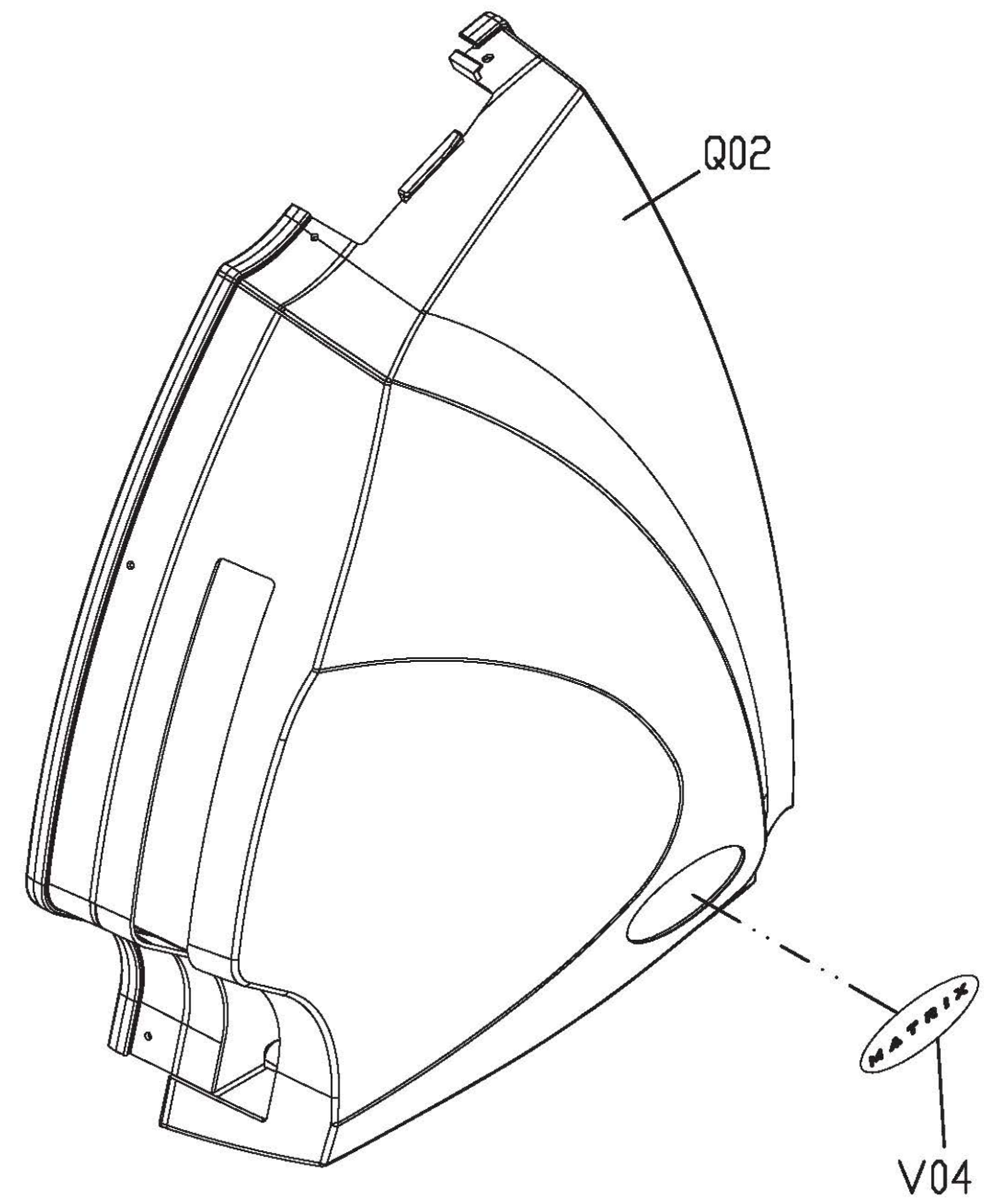
Part NO	Description
0000091707	Grip Set;Sensor;Left;ENG;H5x-F
0000091659	Grip Set;Sensor;Left;JAP;H5x-F
0000092543	Grip Set;Sensor;Left;ENG;H3x-01
0000092987	Grip Set;Sensor;Left;JAP;H3x
0000089919	Grip Set;Sensor;Left;ENG;U5x-F
1000213168	Grip Set;Sensor;Left;JAP;U5x-F
0000092517	Grip Set;Sensor;Left;ENG;U3x-01
0000092975	Grip Set;Sensor;Left;JAP;U3x
0000092573	Grip Set;Sensor;Left;ENG;R3x-01
0000092999	Grip Set;Sensor;Left;JAP;R3x



DRAWING NO	CS11B-AQ11		
PART NAME	LEFT COVER SET		
PART NO	1000216360 <sup>R</sup> / <sub>V</sub> A		
APPROVE	KEN	DATE	050511



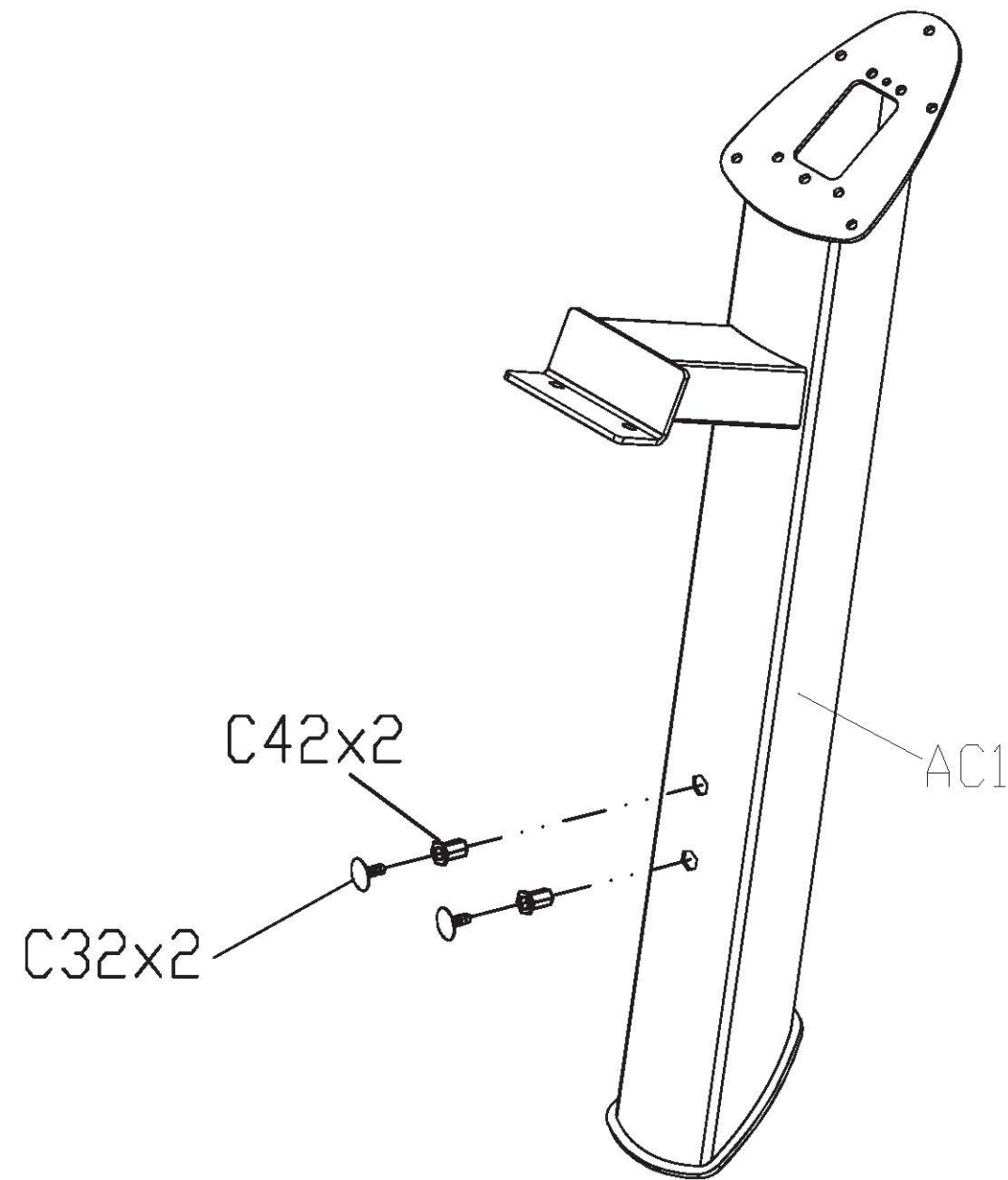
DRAWING NO	CS11B-AQ12		
PART NAME	RIGHT COVER SET		
PART NO	1000216363  A		
APPROVE	KEN	DATE	050511



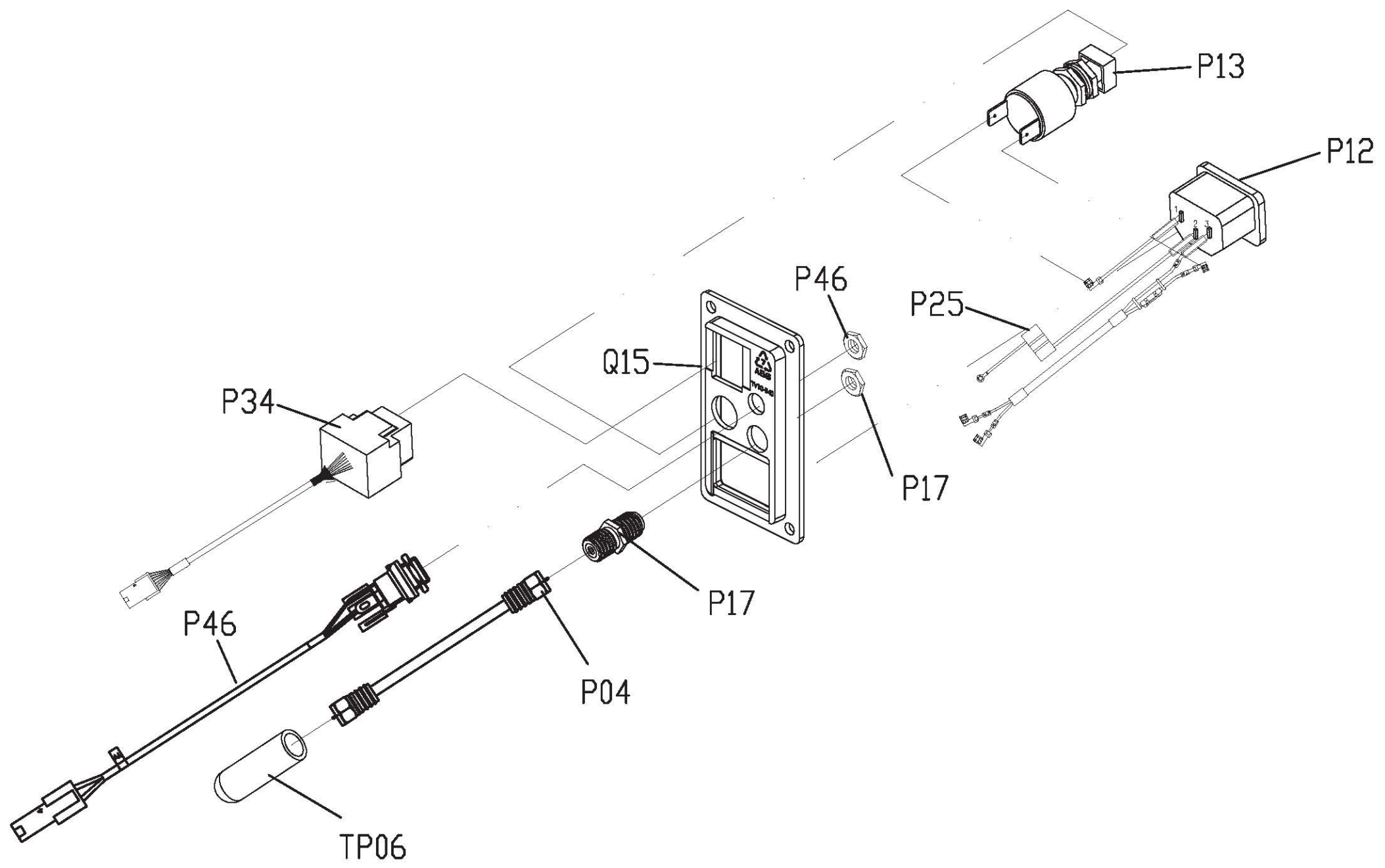


DRAWING NO	CS11B-AC2		
PART NAME	Console Mast Set		
PART NO	As Attached Chart  E		
APPROVE	Eason	DATE	20141022

SAP NO.	Description
1000216367	SLIVER
1000337778	Black matte
1000348785	Black matte(Fitness park)
1000348795	Black matte(Moving express)
1000348982	Black matte(Groupe moving)
1000355481	Red (Workout Anytime)



DRAWING NO	CS11B-AP12		
PART NAME	E-PORT Fix Plate Set		
PART NO	1000231366A		
APPROVE	YUTING	DATE	032912



Bubble #	OEM Part Number	Description
1	1000216367	Console Mast Set;;-;S-3X/5X/7X-03-F;CS11B
1	1000355481	console mast set;;;American Beauty Red;C
10	1000216363	Shield Set;Right;CS11B;
11	058735-A	Pulley Axle Set;RB79
12	0000090915	Pedal Transmission Set;MX-S5X-F;US;CS11
2	0000089432	Handlebar Set;MX-S5X-F;US;CS11
21	0000093119	Pulse Sensor Set
3	0000090902	Lower Pedal Arm Set;MX-S5X-F;US;CS11
4	1000481954	pedal arm set;;up;MATRIX/SL/GY;CS33;;
5	0000090906	Pedal Set;MX-S5X-F;US;CS11
6	0000093057	Upper Handlebar Set;Right;tMX-S5X_6;US;CS08
7	0000093058	Upper Handlebar Set;Left;MX-S5X_6;US;CS08
8	1000216358	Entertainment Port Set;;S-3X/5X/7X-03-F;US;CS1
9	1000216360	Shield Set;Left;CS11B;
AB1	058650-AA	Main Frame Set;BL;;;CS07\D/C,
AC1	1000216367	Console Mast;MATRIX SIL
AC3	0000089432	Handlebar;CN/GY;;F;;RB59
AC4	060362-A	Idler Set
AD8	0000093119	Overlay Set;Quick Key;Left;MX-U5X-F
AD9	0000093119	Overlay Set;Quick Key;Right;MX-U5X-F
AE1	0000090902	Pedal Arm;;Lower;;CS06
AE3	0000090906	Pedal;MATRIX;silver gray;
AE3	058700-C	Pedal Set;;;welding;;CS08;
AE3	062770-AA	Painting;Pedal;MATRIX;silver gray;
AE4	1000481954	Pedal Arm;Upper;;CS06
AE5	0000083505	Idler Set;CS08;
AJ1	058716-AA	Stabilizer;Rear;-NGY;;F;;RB72
AP1	069859	Filter Board
B41	004980-A	Insert Nut;Hex;NHS-580-3.0(M5X0.8P)
C11	0000088923	Bottle Holder Set;Console Mast;ABS/PA746;BL
C14	068522-AA	FOAM GRIP;31.8x3tx430L;BL;CS08;
C15	0000088465	Pulse Sensor Wire;950L(TKP H66030R1-06x2
C22	059060-AA	Handlebar Connection Cover;CN/GY;;;CS07
C32	0000080784	Cover;Screw;PVC;BL;CB62;
C33	004697-AD	Screw;Flat Hex Socket;M8x1.25Px25L
C42	004983-A	Insert Nut;Hex;NKHS-8125-2.5(M8x1.25P)
E11	058690-C	Belt Fixing Plate - D/C,
E12	058691-B	Belt Fixing Plate\D/C,
E13	058692-C	Fix Axle;S45C;20x116L;CS08;
E14	058693-CA	Fix Axle;;;SS41;;;TM27;TM27-B61B
E15	058694-DA	Stopper Pad;PU;Black;CS08;
E16	058695-B	Spring;Stretch;SWPA;3.2x41.0x210.0Lx54
E18	0000083790	Belt;Timing;HTD/1680-8M-25
E19	009475-B	Bushing;Cu MS;34;EP49
E20	103296	Bushing
E24	058702-DA	Pedal Rubber Pad;;PC-510;CS08;
E24	1000390817	Pedal;;;PP-3015;BL/Black C;;MX-S5x-F;

Bubble #	OEM Part Number	Description
E24	1000390817	Pedal;;;PP-3015;BL/Black C;;MX-S5x-F;
E27	N/A	Warning Label;PU;CS08-E27;
E30	1000390818	Pedal Pad;;;NR+SBR1502;BL/Black C;;MX-S5
E32	0000093378	Nut;Nylon;M6x1.0P;;Zn-BL
E33	005377-00	Clamp;E-Shaped Ring;E-15
E34	005366-00	C-Clip;External;S-25
E36	005365-00	C-Clip;External;S-20
E38	004468-00	Screw;Hex Socket;Round;M6x1.0Px25L;;Zn-B
E40	004447-AB	Screw;Hex Socket;Round;M5x0.8Px12L;Adher
E40	1000366596	Screw;Socket Head;M5x0.8Px12L;;Hex Socke
E41	0000081275	Screw;Hex Socket;Round;M6x1.0Px55L(Tooth
E42	005072-00	Washer;Flat;6.5x13.0x1.5T;Black Zinc
E43	018627-A	Washer;Flat;5.2X10.0X1.0T;;BZN;
E43	1000388144	Spacer;;;Stainless;NKL;E-3x/5x/7x-03-F;
E44	0000093381	Washer;Flat;10.2x25.0x1.5t;;Zn-BL
E45	005025-00	Washer;Flat;25.5x38.0x1.5t;Black Zinc
E46	067662-A	Screw;Wagon;M10x1.5Px135L(Tooth15L);Adhe
E47	004885-00	Nut;Hex;M10x1.5P
E48	005116-00	Washer;Flat;25.5X38.0X2.0T;Black Zinc
G01	0000093057	Upper Handlebar;Right;PLAIN;R;CS08
G02	0000093058	Upper Handlebar;Left;BL;BLACK PLAIN;LU;
G03	058710-AA	Lower Handlebar Set
G20	058714-CA	FOAM GRIP;38.1x3tx1162L;BL;CS08 - D/C,
G21	058714-CA	FOAM GRIP;38.1x3tx1162L;BL;CS08 - D/C,
G22	004647-00	Screw;Phillip;Round;3x12L
G23	0000082875	Screw;BH;M3X0.5PX20L;;PH;;BZN;;
J21	037908-AA	Leveler;Foot Pad;Adjustic
J21	037909-AA	Leveler;Foot Pad;Adjustic;Center
JM01	059332-00	Generator;242;600W 600rpm 2.5A;JM07
L01	001113-00	Sleeve;Mobile Wheel
L02	058725-D	Transport Wheel Axle;;SS41;15.88x430L;Anti-Rust;
L03	0000095636	Transport Wheel Set;MX-E1x;EP95
L05	005042-00	Washer;Flat;8.2X30.0X2.0T;Black Zinc
L06	004763-00	Screw;Hex Socket;BH;M8x1.25Px16L;Adhere
L07	005222-00	Washer;Wavy;16.7x22.5x0.3T
N201	0000093119	Grip;Sensor;Upper;ABS/PA746;BL;I5X;
N202	0000093119	Grip;Sensor;Lower;ABS/PA746;BL;I5X;
N24	0000090779	Control Board;Quick Key
Not Shown	0000094424	POWER CORD SET;POWER CORD+Warning Sticke
Not Shown	0000094425	Power Cord Set;3000;18AWG
Not Shown	002782-C	Power Cord;External(USA);3000,14AWG;110V(non-nema)
Not Shown	002787-C	Power Cord;External(USA);3000,14AWG;110V(nema)
Not Shown	061769-B	Power Cord;NEMA;15 feet; 90 DEGREE\ D/C,
Not Shown	1000408170	Spacer;;B;SS41;Zinc;CS11;
Not Shown	N/A	Assembly Manual;-;ENGLISH;
Not Shown	N/A	Hardware Kit

Bubble #	OEM Part Number	Description
P01	000088227	Console Cable;1000L;22AWG;6.3KG;MX-S
P03	002460-B	Keypad Ground Wire;250L;(FDFNYD2-250-1+5.0
P04	060244-C	TV Signal Wire;1850L;(5CF)x2;CS08;
P05	056006-A	Grip Pulse Extension Wire;1000(5.0 OWzP)
P07	0000091128	ECB Load Wire;200L;(3.96-2P)vVH+HL20P-02)
P08	002680-B	ECB EXT Wire;200L;(3.96-5P WHVH+HL20P-03
P09	069904	Ferrite; Cord;FH0650B;CB32-P16A
P10	003386-A	Ferrite Core;T31x16x19-C
P12	000088213	AC Power Switch Set;950L(KST FLDNY-250x2
P13	000089758	Pushbutton Switch;R13-513B2B;H5x-F;
P14	000089167	Wire;Filter Power;500L(KST FLDNY2-250),J
P17	065248-A	TV Coax Adaptor;Female;F-A028-NBX7-C
P18	056225-A	Ferrite;PART OF #79 CABLE;NOT ORDERABLE;
P25	003378-00	Ferrite Core
P31	056200-BA	Rubber Pad
P32	059907-A	Bolt;Eye Hook;1/4-20UNCx135
P33	1000214922	Wire;Battery;900(KST,FDFNYD2-187)X2+VHR-
P34	1000213551	Net Signal Extended Wire;1850(3205615600
P35	059857-A	Battery;12V
P35	1000309219	Battery;;;;WP1.2-12;12V 1.2Ah;
P36	056096-A	Fix Plate;Wheel;;SPHC;3.0t ;;CB61
P37	062621-A	Nut;Wing;1/4-20UNC;SS41;BZN;;
P50	000080701	Cable Clamp;KSS UC-04
P54	004364-00	Screw;Oval Head;M5x0.8Px12L
P55	000082734	Washer;Senated;M5.3X10X0.6;Zinc Plate
P56	006078-00	Decal;Grounding;TM08
P58	000095416	Screw;BH;M4X0.7PX25L;;PH;Z.P.B;;;
Q01	1000216360	Side Cover;Left;CN/GY+PU;CS11B;
Q02	1000216363	Side Cover;Right;CN/GY+PU;CS11B;
Q03	058731-BA	Console Mast Boot;PVC;RB41
Q04	058733-CA	Cover;Frame;RR;ABS/PA746;PANTONE 425C;RB
Q05	1000385348	Cover;Frame;;PVC;BL/Black C;;CS11C;
Q15	1000228967	Plastic Plate;ABS;BL;PCTV;H-3x/5x/7x-03-
Q16	011855-A	Connecting Plate;Side Cover
Q17	067787-A	Fixing Plate;Side Cover
Q21	020016-AB	Screw;Phillip;BH;Stainness;M5x0.8Px30L;
Q22	004620-AF	Screw;Umbrella Cross Tapped;4x12L;Gap
Q25	005330-00	Tinnamen Nut
Q27	004464-00	Screw;Round;Hex;M6X10;Zn-BL
Q28	004624-00	Screw;Umbrella Cross Tapped;4x20L;Gap;
R01	058735-A	Axle Center;Flywheel20x117L;SCM440;CS08
R02	058735-A	Pulley;Poly-V;;;Nylon 6+30%FIBER;J8235;
R03	005365-00	C-Clip;External;S-20
R04	004081-A2	Ball Bearing;6204ZZ;20x47x14t;TPI
R11	058738-A	Drive Belt;Poly-V;390-J12
R12	004161-00	Drive Belt;Poly-V;380-J8

Bubble #	OEM Part Number	Description
R13	007768-D	Fix Plate;Eye Bolt
R14	004467-AB	Screw;Hex Socket;Round;M6x1.0Px50L;;Zn-B
R15	005220-00	Washer;Wavy;20.7x29.1x.3T
R16	005029-00	Washer;Flat;20.2X35X1.5T;Black Zinc
S02	0000090968	Lower Control Board;H004S004;MX-E5XC-F;
S02	1000232960	Control Board;Generator;;H001;ErP-S100;;
S03	005013-00	Washer;Spring;6.0x10.0x1.5t
S04	005077-00	Washer;Flat;6.2X12X1.0T;Black Zinc
S05	020226-00	Bolt;Eye Hook;1/4-20UNCX60;Zn-BL
S06	004931-00	Nut;Locking;Nylon;1/4'-20UNC
S07	005075-00	Washer;Flat;6.2X16X2.0T;Black Zinc
S08	004883-00	Nut;Hex;M6x1.0P
S10	004472-00	Screw;Hex Socket;Round;M6x1.0Px16L;Adher
T01	0000090915	Axle;Transmission;SCM415;25.5x311.0L;
T02	058741-A	Bearing;Tapered Roller;BPFL-5;Huei Yuan
T03	0000090915	Pulley;Poly-V;;;Nylon 6+30%FIBER;J12235
T07	0000080718	Washer;Flat;Teflon;25.5x38x1.5t;
T07	1000229491	WASHER;FLT;TFN;Diam.25.8XDiam.38X1.5T;PT
T08	004991-00	Key;Round;Dual-End;6X6X20L
T09	005366-00	C-Clip;External;S-25
T10	004926-00	Nut;Nylon;M8x1.25P
T11	005127-00	Washer;Flat;M25.5x38x1.0T;Black Zinc
T12	0000082661	Screw;Wagon;M8x1.25Px20L;BLACK
T20	0000090915	Timing Pully Set;MX-S5X-F;US;CS11
T20	0000090916	Timing Pully Set;;Left;;CS11;
T21	1000405685	Timing Pully Set;;right;;CS11;
TP06	0000093219	Jacket;PVC;A5X-03-F;US;EP79
V04	027982-B	Decal;Side Cover;EP68-US;EP68
V06	N/A	SERIAL NO Decal;S-3X/5X/7X-03-F;CS11B;US
V07	N/A	Special Decal;ETL;MX-S5X-F;US;CS11
V09	N/A	Sticker;Switch;PVC;E5xc;
V13	006675-C	Decal;Aperture;TV Rack
V20	005499-00	Insert Nail;1/8'X7.5L(4-1);
Z01	004493-00	Screw;Hex Socket;Round;M8x1.25Px16L
Z02	005012-00	Washer;Lock; M8.0X13X2T
Z03	067950-AB	Screw;Lock;Stainess;M6x1.0Px36L;
Z04	0000083458	Washer;Lock;8.2x13.5x2.0t
Z05	004763-AD	Screw;Hex Socket;BH;Stainess;M8x1.25Px16
Z06	1000221258	Washer;ARC;8.2X19.0X1.5T;SST;
Z07	020298-00	Screw;Hex Socket;M8X40;Zn-BL
Z09	004369-AF	Screw;Phillip;BH;Stainess;M5x0.8Px15L;
Z10	004725-AD	Screw;Hex Socket;BH;Stainless;M8x1.25Px45L
Z34	004539-AC	Screw;Round;Hex Socket;M8X1.25PX25L